



3640

Power Sweeper



3640

Power Sweeper

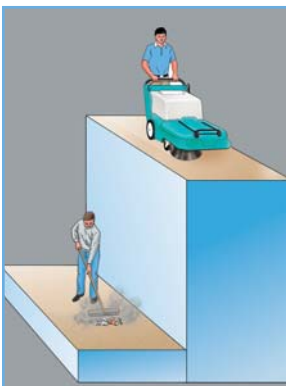
Simply Revolutionary



Brush changes are fast and easy with no tools required.



Optional vacuum wand cleans tight corners and hard-to-reach spaces.



The 3640 does one hour's hand sweeping in 10 minutes.

A sweeper should be simple. Simple to use. Simple to maintain. Most of all, simple for operators to achieve maximum productivity, time after time.

This simplicity can be found in the Model 3640 power sweeper. The fewer parts in a sweeper, the fewer things can go wrong, and the easier it is to use and maintain. With the 3640, Tennant engineers created an award-winning, one-piece, rotationally molded frame that reduces hundreds of parts to just one.

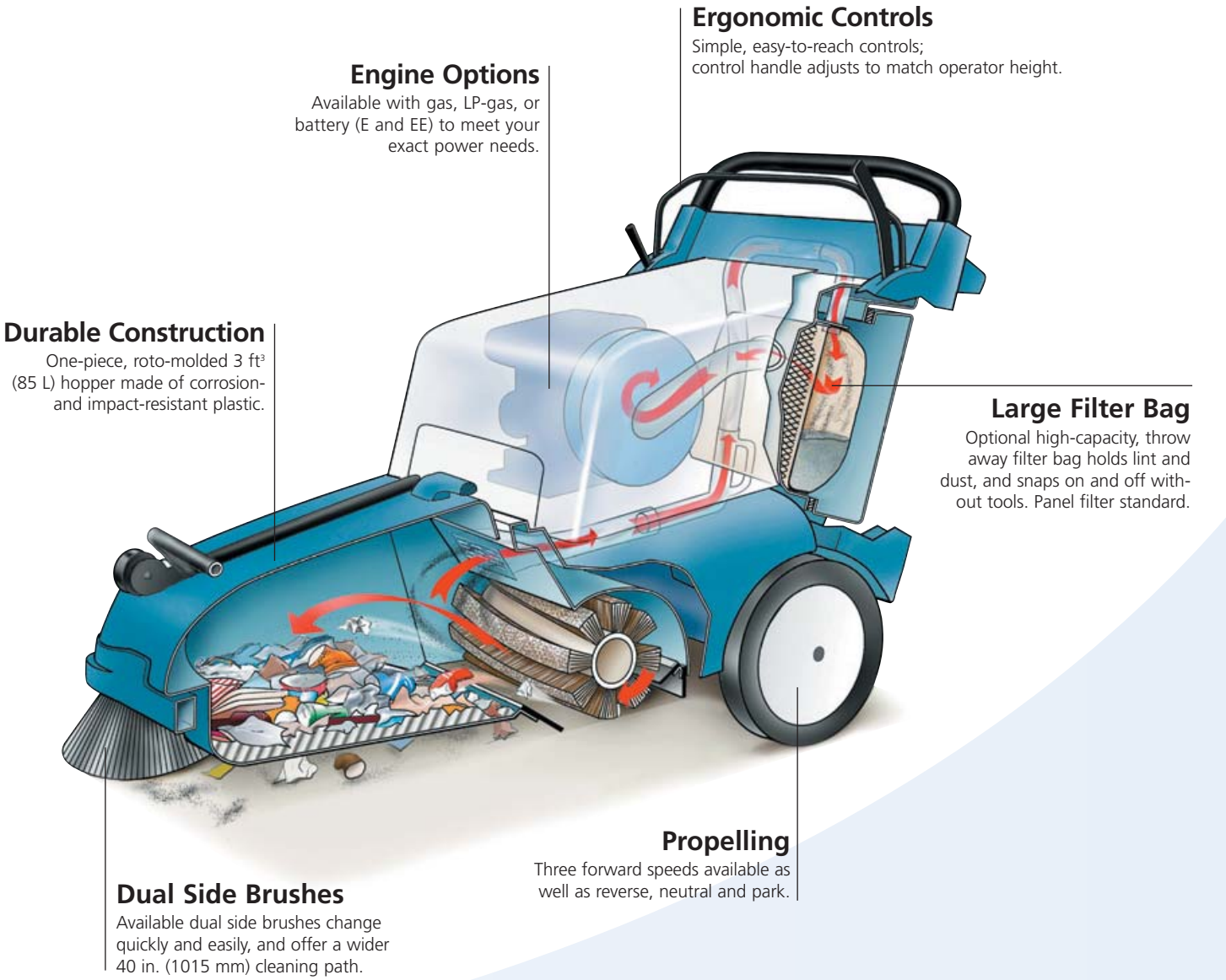
All controls are within easy reach. Engine or batteries are easily accessible and brush changes require no tools or adjustment. The panel filter system controls dust in filthy environments.

Productivity Enhancing Options

A hopper dump assist handle tilts the hopper out of its cradle and rolls away for easy dumping. Choose the dual side brushes for wider reach and greater productivity.



Shown with optional hopper dump assist kit.



Engine Options

Available with gas, LP-gas, or battery (E and EE) to meet your exact power needs.

Ergonomic Controls

Simple, easy-to-reach controls; control handle adjusts to match operator height.

Durable Construction

One-piece, roto-molded 3 ft³ (85 L) hopper made of corrosion- and impact-resistant plastic.

Large Filter Bag

Optional high-capacity, throw away filter bag holds lint and dust, and snaps on and off without tools. Panel filter standard.

Dual Side Brushes

Available dual side brushes change quickly and easily, and offer a wider 40 in. (1015 mm) cleaning path.

Propelling

Three forward speeds available as well as reverse, neutral and park.



Rugged, durable and compact to clean a variety of environments.



Sweeps carpet, tennis courts, and many indoor areas including office environments.



An optional outdoor package comes with wide pneumatic tires and larger front casters.

3640 POWER SWEEPER SPECIFICATIONS

MACHINE DIMENSIONS

Length	56.25 in	1430 mm
Width	32.25 in	820 mm
Height	37.7 in	960 mm

CLEANING SYSTEM

Cleaning path (single side brush)	32 in	810 mm
Cleaning path (dual side brush)	40 in	1015 mm
Hopper volume capacity	3 ft ³	85 L
Hopper weight capacity	130 lb	59 kg
Vacuum fan	9 in	230 mm
Main brush length	24 in	610 mm
Side brush diameter	16.5 in	420 mm
Filter bag capacity	1050 in ³	17.2 L

POWER PLANTS

Air cooled gasoline/LP (max)	6.0 hp	4.48 kW
Battery power (propelling motor)	1.0 hp	0.75 kW

PROPELLING SYSTEM

3 speeds forward (variable)	3.3 mph	5.3 km/h
Speed reverse (variable)	1.4 mph	2.25 km/h

GRADEABILITY

Full hopper	8.0 deg	14.1%
Empty hopper	8.0 deg	14.1%

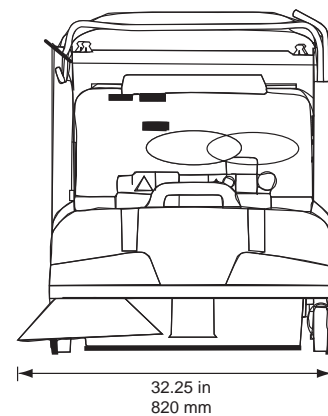
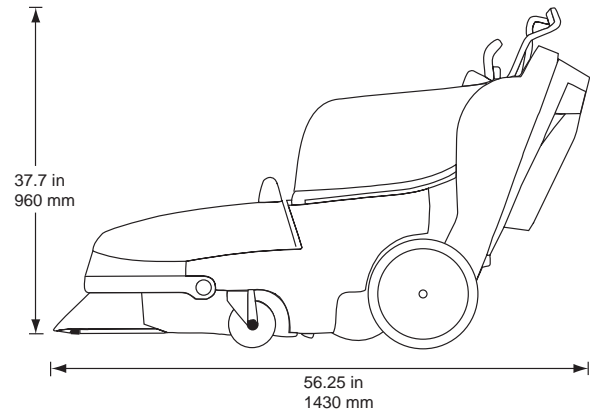
TENNANT VALUE ADDED EQUIPMENT INCLUDES:

Fully variable forward/reverse speed, brush compartment recirculation, control with park position wrap, height adjustable handle, key switch, free-floating hopper, smart charger, low engine oil level indicator light, no-tool brush change

TO CUSTOMIZE, HERE ARE YOUR OPTIONS:

Live vacuum wand, carpet sweeping configuration, extended run-time battery package, outdoor package, hopper dump assist, battery disconnect control button, dual side brushes

Dimensions



ISO 9001 Certified Specifications are subject to change without notice

Creating a cleaner, safer world™

Tennant Company offers the most complete line of floor and surface maintenance equipment, floor coatings, brushes and cleaning detergents in the world, for the industrial, commercial and outdoor cleaning markets. Our sales and service networks are able to provide you with integrated custom cleaning solutions to meet any floor care need.

Authorized Tennant Sales Representative



Tennant Company

701 North Lilac Drive, Minneapolis, MN 55440, USA
 Mailing Address: P.O. Box 1452, Minneapolis, MN 55440, U.S.A.
 Tel: (763) 540-1200, Toll-free: (800) 553-8033
 Fax: (763) 513-2144, In Quebec, call: (514) 335-6061